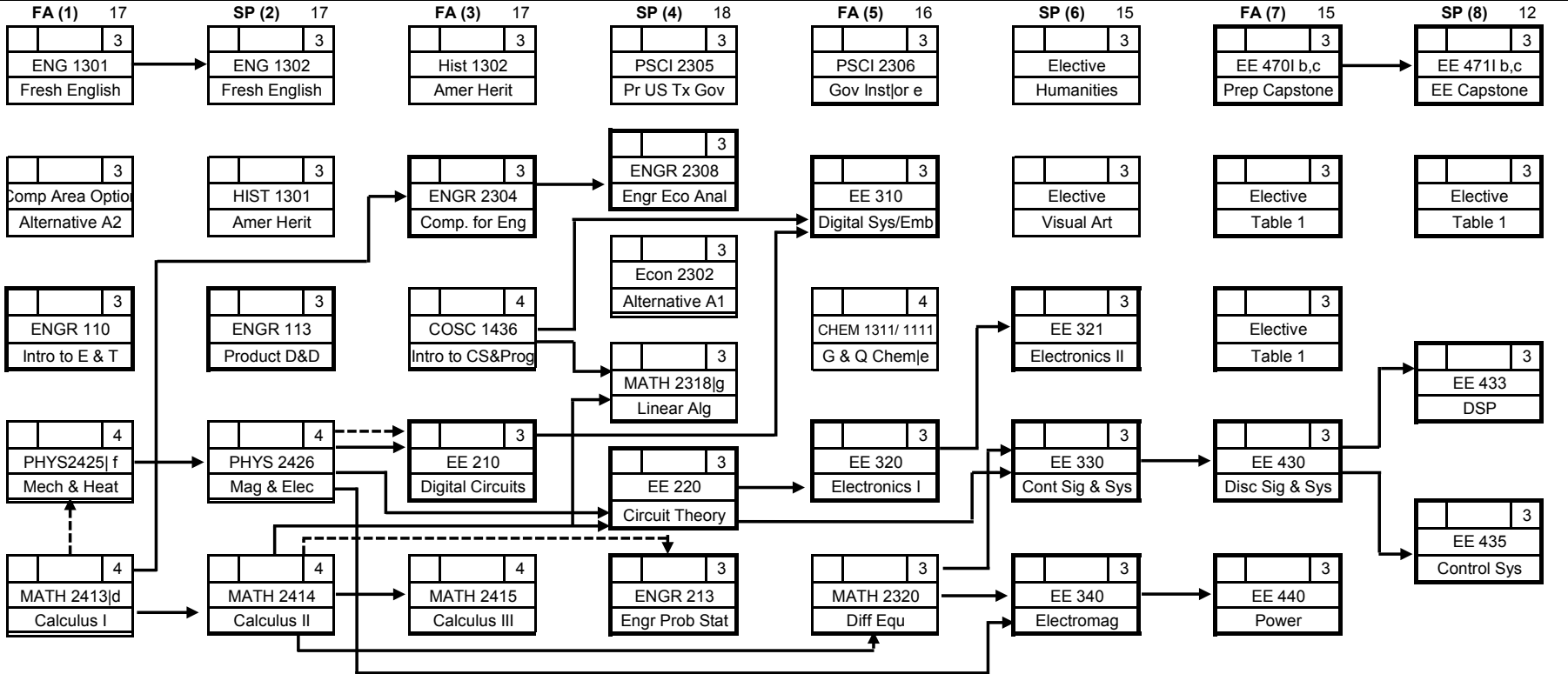


Texas A&M University-Commerce | Bachelor of Science in Electrical Engineering (EE) | 2019-2020 Curriculum Flowchart

Student name: _____

CWID: _____



Prerequisite: —————>
 Co-requisite: - - - - ->

1	2	3	1 Student grade in course
4			2 Semester course completed (e.g., FA10, WM10, SP11)
5			3 Course semester hours (sh)
4 Course ID & number, OTHER PREREQUISITES after " "			
E1 ID & #:	_____	E1 title:	_____
E2 ID & #:	_____	E2 title:	_____
E3 ID & #:	_____	E3 title:	_____
E4 ID & #:	_____	E4 title:	_____
5 Course title			
A1: ECO 2301 (Principles of Macro Economics) or 2302 (Principles of Micro Economics)			
A2: Component Area Option Elective* (See note under section (090) of the undergraduate catalog)			

Bold outline is a required course in the major (minimum passing grade is C): **63 sh**
 Bold underline is a required support course (min. pass. grade is C): **22 sh**
 Double underline is a required support course satisfying university studies reqs. **15 sh**
 Unbolded outline is a university studies course (minimum passing grade is D): 27 sh
 Min total grade average to receive Bachelor of Science degree in EE is C (2.0): 127 sh

OTHER PREREQUISITES:

a Junior classification	d Two yrs. HS Alg. & Trig. or Math 142 (Pre-Cal)
b Senior classification	e Math 141 (Col Alg) or adeq. HS math. prep.,
c Dept Head consent	co-req. Chem 101 (Gen Chem Tut I, 1 credit hour)
	f Calculus skills
	g Math 331 prereq waived by Math Dept

Successfully completed courses In-progress courses Advised courses for the next semester